

# Push-Lock Turnbuckle

TENSIONER

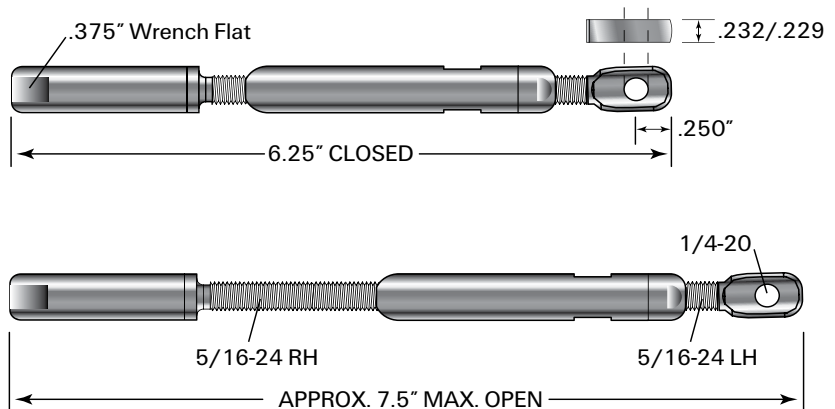
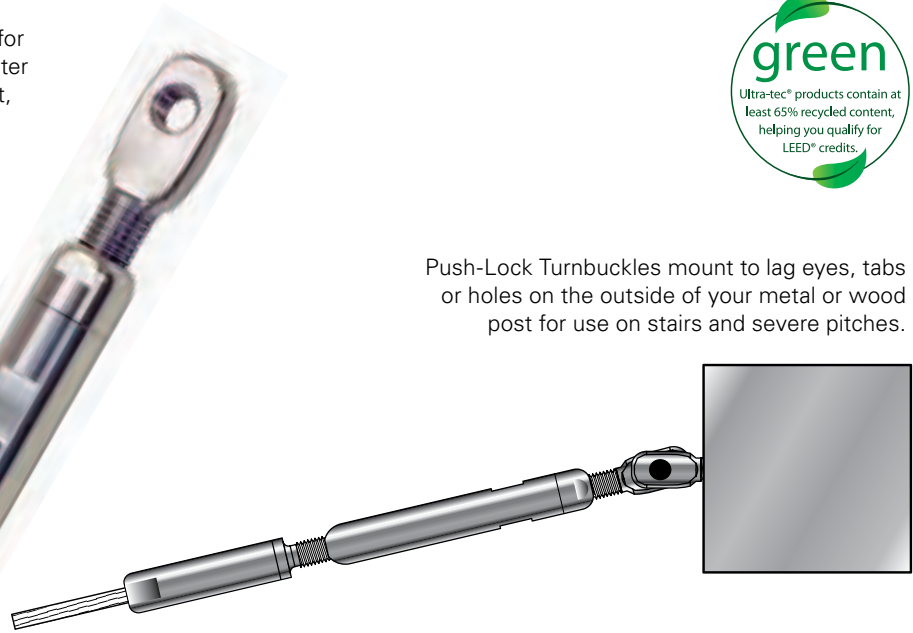
The Push-Lock tensioner for inside-of-post applications.

## Easy to install

Push-Lock Turnbuckles are designed for use with 1x19 L.H. lay strand only. After the fitting is attached to your end post, push the cable into the opening in the Push-Lock Turnbuckle, where it will be securely held inside. To tension the cable, just hold the end with an open-end wrench to keep the cable from turning and tighten the body with a second open-end wrench. When the cable is tensioned, tighten the lock nut against the body.



Push-Lock Turnbuckles mount to lag eyes, tabs or holes on the outside of your metal or wood post for use on stairs and severe pitches.



### PUSH-LOCK™ TURNBUCKLE

Push-Lock fittings are made of type 316 stainless steel, with the exception of internal components that are made of other types of stainless steel.

**DESIGNED FOR USE WITH 1X19 L.H. STRAND ONLY**

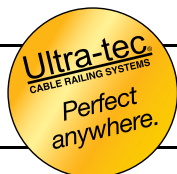
CABLE DIA.	PART NO.	USE WITH MOUNTING SCREW NO.*	OPTIONS FOR MOUNTING TO END POSTS	
			FOR METAL POSTS, USE WITH MOUNTING TAB NO.	FOR WOOD POSTS, USE WITH
1/8"	PL-TB4	SC-6	TT-6B	LE-6
3/16"	PL-TB6			

\*Order SC-6 Screw Separately.

8  
3/1/12

ISO 9001: 2008 Certified / U.S.A. Manufacturer

**Ultra-tec**  
CABLE RAILING SYSTEMS



1-800-851-2961 ■ 775-885-1443 ■ Fax 775-885-2734

52 Heppner Drive ■ Carson City, NV 89706

E-mail: info@ultra-tec.com Website: www.ultra-tec.com